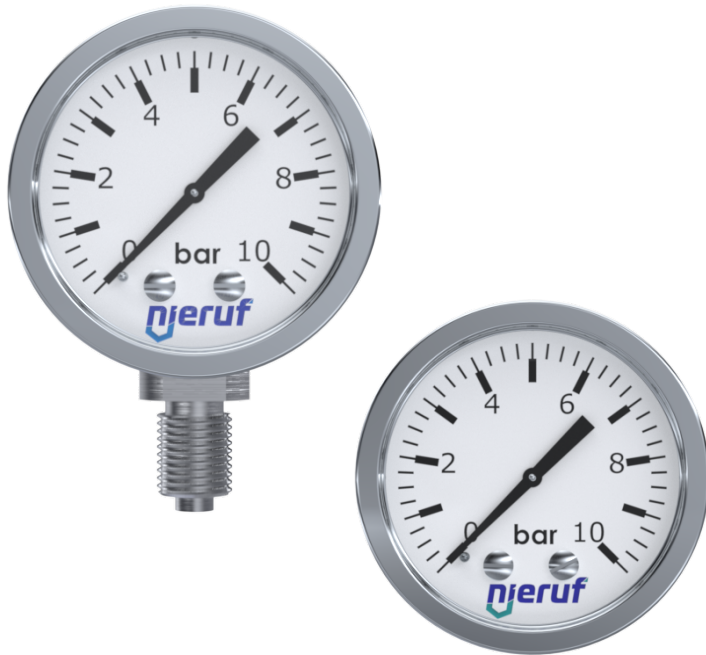


Pressure gauge stainless steel TYPE MM05



description:

Pressure gauges are used to control and to observe the pressure in a system. These pressure gauges convince through high reliability and long-term stability. Ideal usage in the chemical and petrochemical industry, pharmacy and food industry.

product features:

- usable for gaseous and liquid, non-viscous, non-crystalizing media
- robust design
- high friction resistant of the motion work
- leak tested with helium

connection

1/8" B -> 40mm
1/4" B -> 50mm

temperature

ambient:
-20°C to +60°C

with glycerin filling:

media:
1/8" - max. 100°C
1/4" - max. 150°C

max. 100°C

pressure

0-400 bar
depending on design

dimension

diameter: 40 mm, 50mm

design:

body material:

viewing glass:

motion work:

protection class:

measuring element:

temperature:

ring:

option:

accuracy class:

application area:

dial:

pointer:

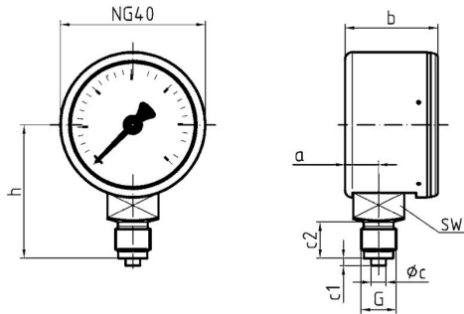
pressure gauge with pipe-spring measuring element made of stainless steel
stainless steel 304 (50mm: with blow-out)
plastic
stainless steel
40mm: IP 32 acc. EN 60529
50mm: IP 54 acc. EN 60529 / with husing vent: IP 54
≤ 60 bar: „C“ type tube
> 60 bar: helical tube
media: max. 100 or 150°C*, ambient: -20°C to 60°C
40 mm bayonet ring, 50 mm crimped bezel
glycerin filling for 1/4" Zoll 50mm
1,6% acc. EN 837-1 (50mm)
2,5% acc. EN 837-1 (40mm)
static load: 3/4 x full scale value
dynamic load: 2/3 x full scale value
short-term: full scale value
Aluminium white, dial marking black
Aluminium black

*depending on design

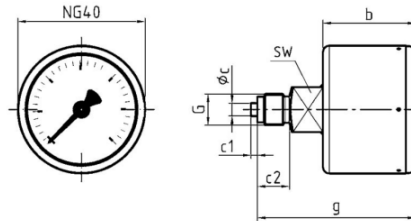
Design / dimensions:

NG40mm – 1/8" inch:

radial / bottom connection:



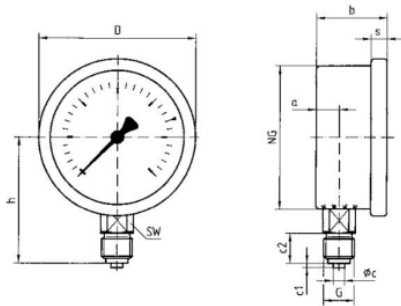
axial / centre back connection:



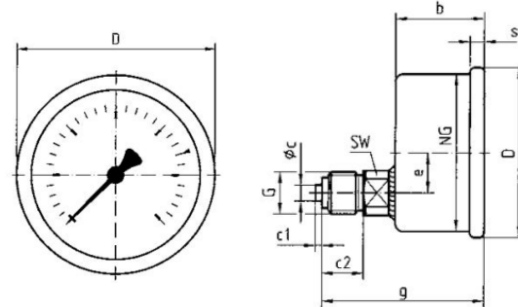
type	connection	a	b	øc	c1	c2	g	h	SW	G
MM05 0 0	radial	9,2	25,5	4	2	10	-	36,5	14	G 1/8 B
MM05 1 0	axial	-	29	4	2	10	49,5	-	14	G 1/8 B

NG50mm – 1/4" inch:

radial / bottom connection:



axial / bottom back connection:



Typ	connection	NG	a	b	øc	c1	c2	D	e	g	h	s	SW	G
MM05 0 0	radial	50	10,5	28	5	2	13	53	-	-	46	4,5	14	G 1/4 B
MM05 1 0	axial	50	-	28	5	2	13	53	12,5	51	-	4,5	14	G 1/4 B
MM05 0 1	radial	50	10,5	28	5	2	13	53	-	-	46	4,5	14	G 1/4 B
MM05 1 1	axial	50	-	28	5	2	13	53	12,5	51	-	4,5	14	G 1/4 B

article no.:

type	connection	option	display	diameter
MM05 – stainless steel	0 – radial 1 – axial	0 – standard	05 – 0-4 bar	00 – G 1/8 B (40mm)** 01 – G 1/4 B (50mm)
		1 – with glycerin*	06 – 0-6 bar	
			07 – 0-10 bar	
			08 – 0-16 bar	
			09 – 0-25 bar	
			10 – 0-40 bar	
			11 – 0-60 bar	
			12 – 0-100 bar	
			13 – 0-160 bar	
			14 – 0-250 bar	
			15 – 0-400 bar	

Example no. MM05011000

MM05 | 0 | 1 | 10 | 00

Pressure gauge made of CrNi steel

connection: radial (bottom connection)

option: with glycerin filling

display: 0-40 bar

diameter: G 1/8" B (40mm)

*) with glycerin available for G1/4" Zoll 50mm

**) G1/8" Zoll with axial / center back connection available up to 60 bar

Image similar, subject change without notice.