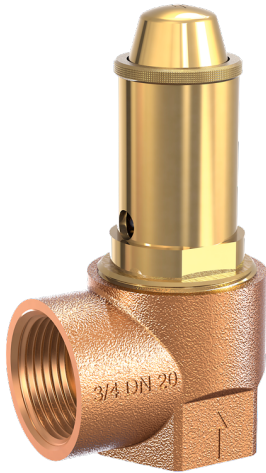


diaphragm safety valve TYPE SV17



Description:

Safety valves are used to protect a closed system, pressure tanks etc. against overpressure.

Features:

- suitable for neutral **gaseous media**.
- with lifting mechanism
- TUV-type test approval letter D/G
- EC type examination Letter S/G
- Safety valves are set and sealed at the factory

Connection:

1/2", 3/4", 1", 1 1/4", 1 1/2", 2"

Temperature:

-20°C to +200°C

Set pressure:

1,0 bar – 16,0 bar

Materials:

Component	Materials	DIN EN	ASME
Body	Gunmetal CC499K	CC499K	CC499K
Internal parts	brass CW617N	CW617N	CW617N
Spring	spring steel	1.1200	ASTM A228

Seal:

FKM/FPM/Viton

-20°C to +200°C

Approvals:

AD 2000 sheet A2

DIN ISO 4126-1

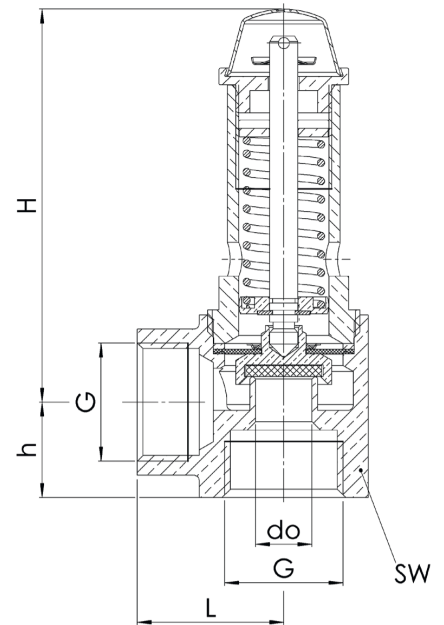
DGR 2014/68/EU

TRD 421

Dimensions:

Diameter DN	15	20	25	32	40	50
G*	1/2"	3/4"	1"	1 1/4"	1 1/2"	2"
L	26	31	35	40	46	54
H	70	70	80	100	140	155
H	17	18	22	25	28	34
SW	27	32	40	49	56	68
Do	10	13	16	18	22	25
weight kg	0,2	0,3	0,5	0,7	1,2	1,6
Set pressure bar	1-16	1-16	1-16	1-16	1-16	1-16

* connection acc. to DIN EN ISO 228



Capacity table:

Blowing-off rates at 10% above set pressure

DN	15	20	25	32	40	50
set pressure bar	Air Nm ³ /h	Air Nm ³ /h	Air Nm ³ /h	Air Nm ³ /h	Air Nm ³ /h	Air Nm ³ /h
1,0	31	53	80	102	152	196
1,5	40	67	102	128	192	248
2,0	48	81	123	155	232	299
2,5	56	95	144	182	272	351
3,0	64	109	165	208	311	401
3,5	73	123	186	235	351	454
4,0	81	137	207	262	391	505
4,5	89	150	228	288	431	556
5,0	97	164	249	315	471	608
5,5	105	178	270	342	511	659
6,0	114	192	291	368	550	711
6,5	122	206	312	395	590	762
7,0	130	220	333	422	630	814
7,5	138	234	354	448	670	865
8,0	147	248	375	475	710	917
8,5	155	262	396	502	750	968
9,0	163	276	418	528	789	1019
9,5	171	290	439	555	829	1071
10	180	303	460	582	869	1122
11	196	331	502	635	949	1225
12	212	359	544	688	1023	1328
13	229	387	586	742	1108	1431
14	245	415	628	795	1188	1534
15	262	443	670	848	1267	1637
16	278	470	713	902	1347	1740

Article number:

Type	lifting mechanism	Connection	Seal	Size
SV17	0 – twist-type	0 – female thread	02 – FKM/FPM	03 – 1/2" 04 – 3/4" n – 1" 06 – 1 1/4" 07 – 1 1/2" 08 – 2"
SV17000205: SV17	0	0	02	05

Article number. SV17000405
 Safety valve made of gunmetal for gaseous medias
 Internal parts brass
 Lifting mechanism: twist type
 Connection: male thread
 Seal: FKM/FPM
 Size: 1" Inch

Image similar, subject change without notice.