

pressure variation :
 pressure swing 0-16 bar max. operations 1.000
 infinite operation of pressure swing within 20% of 16 bar

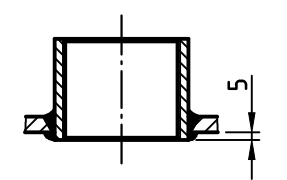
operational characteristics / calculation characteristics :
 volume V (litre) : 1500
 max. working pressure PS (bar) : 16
 test pressure PT (bar) : 22,88
 min. working temp. TS (°C) : -20
 max. working temp. TS (°C) : 50
 fluid : compressed air/nitrogen (fluid group 2)
 location : inside and outside building possible

coating :
 inside : hot dip galvanized
 outside : hot dip galvanized

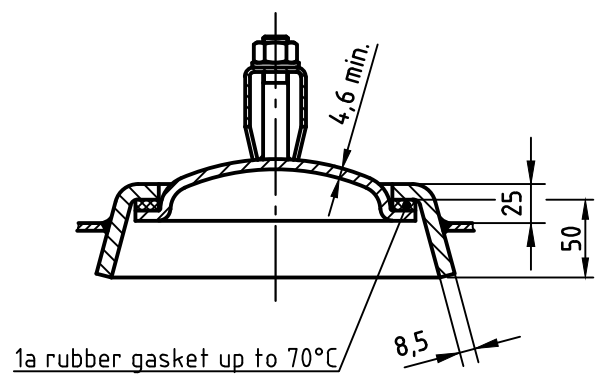
manufacturing and testing
 acc. to PED 2014 / 68 / EU - AD 2000

conformity benchmark :
 fluid group : 2
 diagram : 2
 categorie : IV
 module : H1

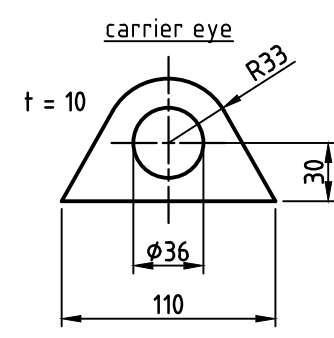
socket welding
 drain and plug socket
 inside flush



OAB 51 - handhole 100/150
 tested components



1a rubber gasket up to 70°C



scale:	1:15
our no.:	-
order no.:	-
used for:	M+B Standardvessel
weight:	ca. 500 kg
sheet:	1
of sheet:	1
date of plot:	24.06.2015
file:	ENG-010831

	date	name
compl.	24.06.2015	CW
appr.	24.06.2015	SW

follow protection mark acc. DIN 34

description: pressure vessel horizontal 1500 l 16 bar	
drawing no.:	revision: A
MB 020102-2.1500V/E	
drawing no. of design inspection:	date of revision: 24.06.2015
MB 020102-2	revision only on CAD