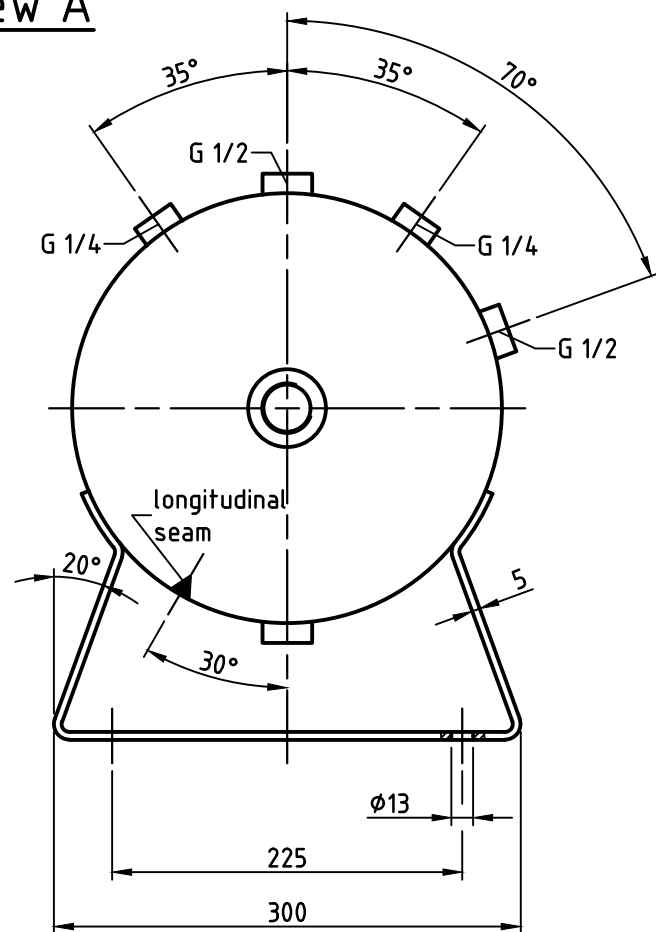
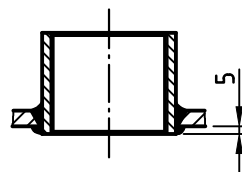


view A



socket welding  
 drain and plug socket  
 inside flush



SEAMS (unless otherwise indicated on drawing):			
longitudinal seam	socket-/flangeweldings	circumferential seams	
		beadseams only up to 8mm wall thickness of bottoms cyl. brim > 3,5 x wall thickness of bottoms	

pressure variation :	
pressure swing 0-16 bar max. operations 1.000	
infinite operation of pressure swing within 20% of 16 bar	
operational characteristics / calculation characteristics :	
volume V (litre)	: 1000
max. working pressure PS (bar)	: 16
test pressure PT (bar)	: 22,88
min. working temp. TS (°C)	: -10
max. working temp. TS (°C)	: 50
fluid	: Druckluft / Stickstoff (Fluidgruppe 2)
location	: inside and outside building possible

coating :	
inside : raw	or: inside : hot dip galvanized
outside : primed (if customer wishes lacquered)	outside : hot dip galvanized

manufacturing and testing  
 acc. to PED 2014 / 68 / EU - AD 2000

conformity benchmark :	
fluid group : 2	categorie : II
diagram : 2	module : B + C1 / H

scale:	1:5
our no.:	-
order no.:	-
used for:	M+B Standardvessel
weight:	ca.25 kg
sheet:	1
of sheet:	1
date of plot:	24.06.2015
file:	ENG-010819

description:		pressure vessel horizontal 50 l 16 bar	revision: A
drawing no.:			
MB 030602-2.50/E		date of revision: 24.06.2015	
drawing no. of design inspection:		revision only on CAD	
MB 030602-2.50			