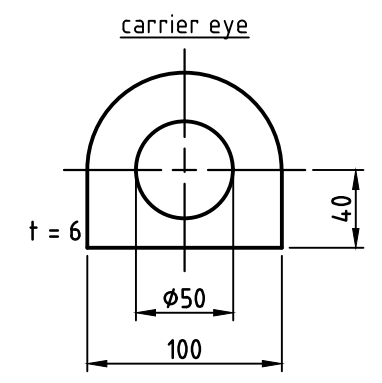
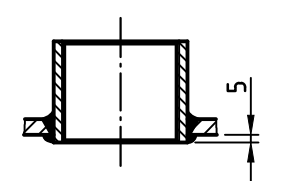


socket welding
drain and plug socket
inside flush



SEAMS (unless otherwise indicated on drawing):		
longitudinal seam	socket-/flangeweldings	circumferential seams
		beadseams only up to 8mm wall thickness of bottoms cyl. brim > 3,5 x wall thickness of bottoms

pressure variation :	
pressure swing 0-11 bar max. operations 1.000	
infinite operation of pressure swing within 20% of 11 bar	
operational characteristics / calculation characteristics :	
volume V (litre)	: 750
max. working pressure PS (bar)	: 11
test pressure PT (bar)	: 15,73
min. working temp. TS (°C)	: -20
max. working temp. TS (°C)	: 50
fluid	: compressed air/nitrogen (fluid group 2)
location	: inside and outside building possible

coating :	
inside : raw	or: inside : hot dip galvanized
outside : primed (if customer wishes lacquered)	outside : hot dip galvanized

manufacturing and testing
acc. to PED 2014 / 68 / EU - AD 2000

conformity benchmark :	
fluid group : 2	categorie : IV
diagram : 2	module : H1

scale:	1:12.5
our no.:	-
order no.:	-
used for:	M+B Standardvessel
weight:	ca.200 kg
sheet:	1
of sheet:	1
date of plot:	10.06.2015
file:	ENG-010678

description:		pressure vessel upright 750 l 11 bar	revision: A
drawing no.:			
MB 030603-1.750/E		drawing no. of design inspection: MB 030603-1	date of revision: 10.06.2015
drawing no.:			